

NEW!

STAND-ALONE SINGLE CAMERA



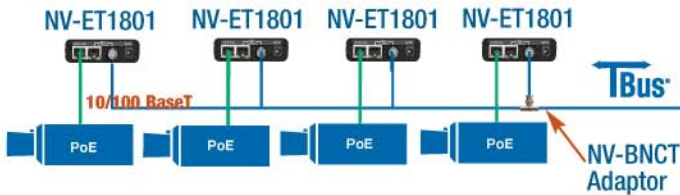
SINGLE CAMERA



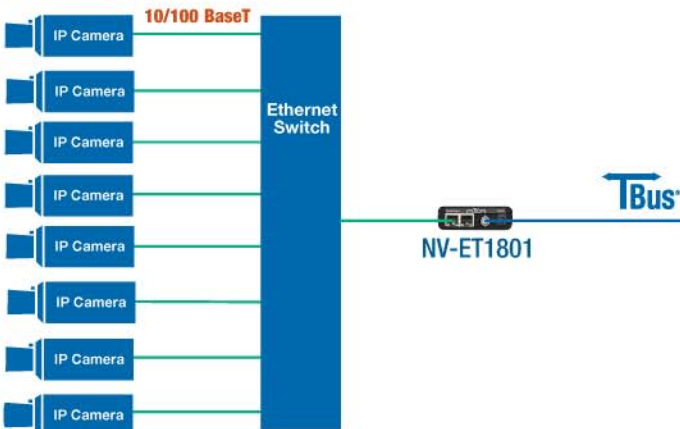
FOUR CAMERAS



DAISY CHAIN



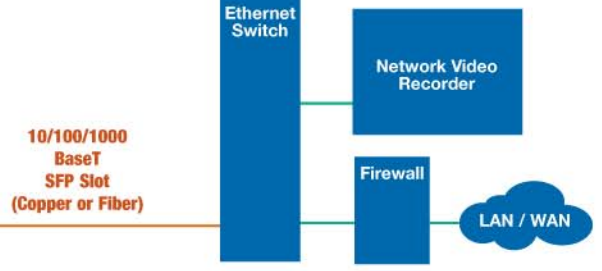
REMOTE HUB



NON-CAMERA IP CONNECTIVITY



Receivers NV-ER1804 or NV-ER1808i or NV-ER1816i



High-speed uplink may be used to support:

- Fiber backbone
- Redundant backbone
- Daisy-chaining of hubs
- Local laptop connectivity

TBus® is short for "Transmission Bus". It is the backbone communications architecture for NVT's range of IP transmission devices.

TBus supports all forms of coax and UTP, as well as 18/2, 2-wire (un-twisted wire), and STP (shielded twisted-pair) in any combination of star-topology, daisy-chaining, or a mixture.

In addition, TBus delivers 56 VDC power for remote transmitters as well as their remote PoE devices (IP cameras, etc.)

Loads of up to 1 amp are possible, supporting high power PoE devices up to 50 Watts.

TBus supports advanced 128-bit AES encrypted network speeds of up to 150Mbps.

Optional Auxiliary Power
NV-PS56-250W

- May be added to support:
- High current camera loads
 - Redundant power

Alarm contact closure outputs available